

VOYAGER/TRIK

**Move faster, travel lighter,
communicate better.**

The Voyager Tactical Radio Integration Kit (TRIK) allows uninhibited flow of critical information across tactical networks on the battlefield by making disparate voice and data networks interoperable through combinations of hardware and software to form seamless gateways.



Uninhibited flow of critical information across tactical network

The Voyager TRIK incorporates tactical voice nets, streaming video/ISR, Link 16 networks and networked Position Location Information (PLI) data that provides complete situational awareness via a Common Operating Picture (COP); all in a purpose-built form factor. Tailorable to support specific CONOP scenarios, all variants are ruggedized and air droppable to meet any mission profile

Features

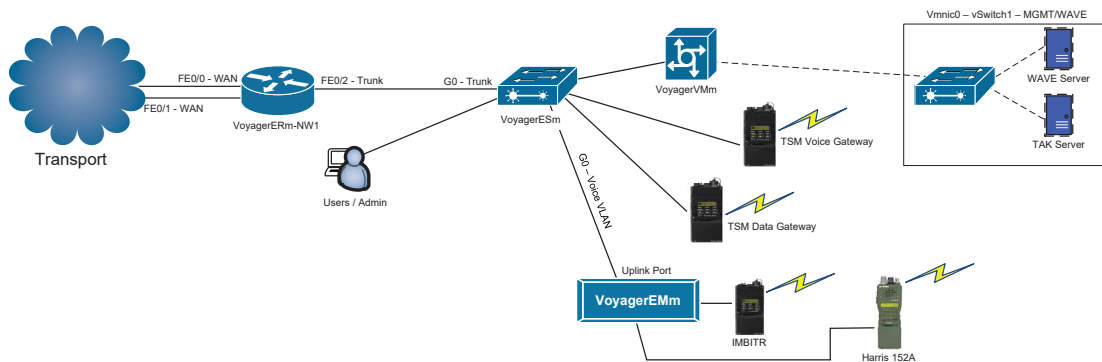
- Ruggedized, light weight, and low power consumption
- Robust, integrated power system supports networking, compute and radio capability sets from a single power source (no multiple power cords and AC-DC power supplies)
- Transportable in a "roll on/ roll off" form factor
- 19" Rack-mountable for vehicular, aircraft or shipboard applications
- Voyager Ignition Key (VIK) simplifies provisioning and PACE plan execution
- Compute modules support a wide range of virtualized capabilities: vRouting, TAK, WAVE, Firewalls, video transcoding, etc.
- Radio integration for a wide range of radios; radio/amp combinations, handhelds, manpacks, ISR Tx/Rx, SIGINT, MANET, Link 16

Contact sales@klasgov.com for more information or to request a quote.

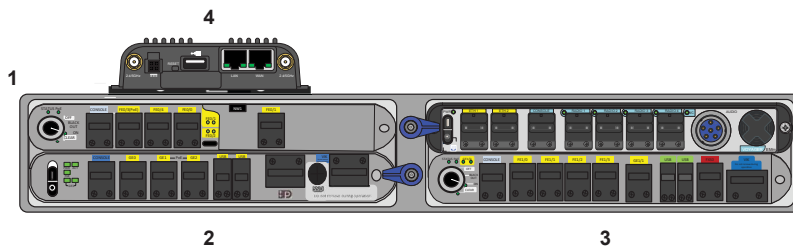
KLAS

Company TRIK variant

Network Architectural Diagram



Module Layout

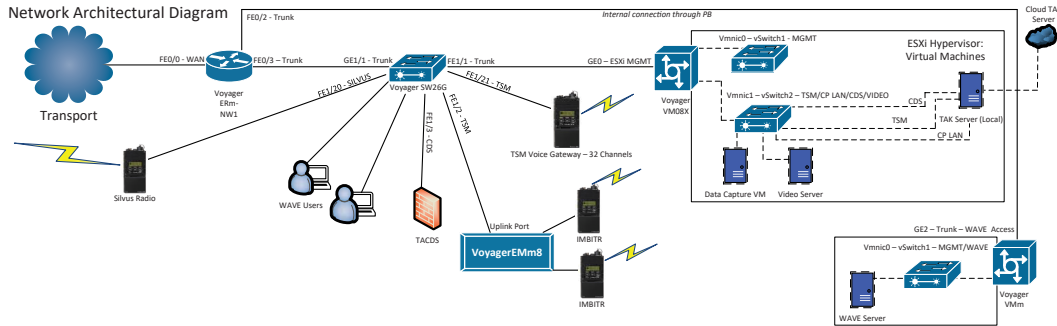


LEGEND	
Slot	Description
1	Voyager 2 Slim
2	VoyagerERm-NW1 / VoyagerVMMi5 / PB1 w/ Voyager 1
3	VoyagerEMm / VoyagerESm / PB1 w/ Voyager 1
4	IBR-900 Cradlepoint w/ Mounting Bracket and Voyager 1 Power Cable

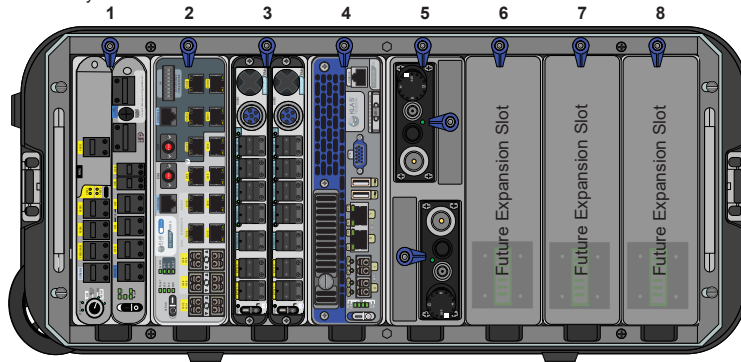
The Company TRIK variant is man-packable by a single soldier. It consists of a hardened chassis that includes integrated power and battery backup and additionally provides multiple options for powering the system using readily available DC power sources, i.e. BB-2590, vehicular, etc. Along with the chassis are 4 miniaturized modules supporting routing, switching, compute/virtualization and radio integration weighing approximately 13lb. It allows for the optional use of an externally attached Wi-Fi and Cellular capability also powered by the hardened chassis streamlining the system.

COMPANY Product	Specs
Voyager 2 Slim	Backpackable, 2-slot, ruggedized backplane that holds multiple combinations of Voyager modules and peripheral devices such as the CradlePoint IBR900.
VoyagerERm-NW1	Miniaturized integrated Cisco routing.
VoyagerVMM	Miniaturized dual-core compute module for virtualization of services such as video transcoding, TAK, WAVE, etc.
VoyagerPB	Bracket connecting 2 x miniaturized modules together allowing utilization in the Voyager family of chassis.
Voyager 1	Rechargeable power supply with integrated UPS functionality. Provides power for modules and peripheral devices such as a HAIPE or CradlePoint.
VoyagerEMm	Miniaturized integrated RoIP gateway solution with interfaces for radios, Ethernet, and handset audio. Supports up to 4 radios via E&M interfaces.
VoyagerESm	Miniaturized 4-port switch.
Cradlepoint IBR900	Cellular & WiFi connectivity. Easily removable as mission dictates.

Battalion TRIK variant

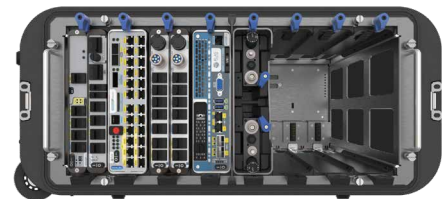


Module Layout



LEGEND	
Slot	Description
1	VoyagerERM-NW1/ VoyagerVMm w/ PB1 and Voyager 1
2	VoyagerSW26G w/ Voyager 1
3	VoyagerEMm 8 w/ Voyager 1
4	VoyagerVM08X w/ Voyager 1
5	VoyagerRB8 - Dual TW950 w/ Voyager 1
6	Open for Future Expansion
7	Open for Future Expansion
8	Open for Future Expansion

The Battalion TRIK variant provides the same capabilities as the Company TRIK on a more robust scale and with a few additional features, such as video transcoding with Haivision's Kraken software and scaled services. It also includes a fully integrated power distribution and UPS system providing the flexibility to operate for extended periods in the most austere environments. The addition of radio brackets allows users to take advantage of the integrated power system providing a compact, easy to install and "quick-to-operational status" system.



BATTALION Product	Specs
Voyager 8	Air-droppable, ruggedized roller-case with 8-slot chassis (removable for rack-mount applications) and integrated UPS with ot-swappable batteries. Powers multiple combinations of Voyager modules, radios, and peripheral devices such as a HAIPe or CradlePoint. Accepts wide-ranging power, both AC & DC.
VoyagerERM-NW1	Miniaturized integrated Cisco routing.
VoyagerVMm	Miniaturized compute module for virtualization of services such as video transcoding, TAK, WAVE, etc.
VoyagerPB	Bracket connecting 2 x miniaturized modules together allowing utilization in the Voyager family of chassis.
Voyager 1	Rechargeable power supply with integrated UPS functionality. Provides power for modules and peripheral devices such as the IBR900.
VoyagerEMm8	Integrated RoIP gateway solution with interfaces for radios, Ethernet, and handset audio. Supports up to 8 radios via E&M interfaces.
VoyagerVM08X	8-core compute module for virtualization of services such as TAK, WAVE, etc. Provides up to 16TB of SSD storage and a 512GB NVMe-based VIK+ for simplified provisioning and efficient utilization of storage resources.



KLAS

For more information, please contact:

Klas Government

450 Springpark Place, Suite 1200, Herndon, VA 20170

571-375-2515 | sales@klasgov.com